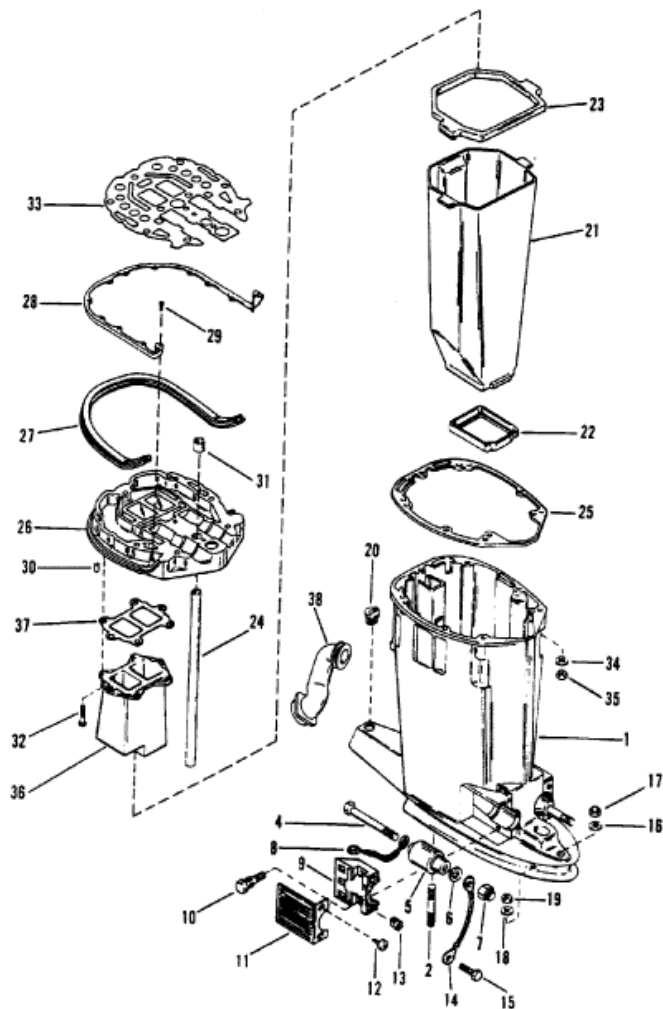


Parts List



12008

Ref	Class	Part	Description	Qty	Comment	Footnote
1	1590	8343A10	DRIVESHAFT HOUSING, Black	1	(Long)	
1	1590	8343A11	DRIVESHAFT HOUSING, Gray	1	(Long)	
1	1590	8343A12	DRIVESHAFT HOUSING, Tracker	1	(Long)	
1	3503	813563A 1	DRIVESHAFT HOUSING, Black	1	(X-Long)	
1	3503	813563A 2	DRIVESHAFT HOUSING, Gray	1	(X-Long)	
2	16	56295	STUD, (.437 x 2.69)	2		
4	10	63474	SCREW, (.500-20 x 6.00)	2		
5		78249	MOUNT, No Markings	2		
5		77327	MOUNT, Tracker - White Dot	2		
6	12	49339	WASHER, (.8125)	2		
7	11	28040	NUT	2		
8		88238A 1	WIRE ASSEMBLY, Ground	1		
9	54	67076	CLAMP	2		
10	10	66727	SCREW, (.312-18 x 1.250)	4		
11		67077T	COVER, Black	2		
11		67077T 6	COVER, Gray	2		
11		67077F 2	COVER, Tracker	2		
12	10	88417	SCREW, (#12-24 x .620)	4		
13	11	35521	NUT	4		
14		88238A 1	WIRE ASSEMBLY, Ground	1		
15	10	41508	SCREW, (.250-20 x .500)	1		
16	12	48926	WASHER	1		
17	11	34933	NUT, (.437-20)	1		
18	12	45176	WASHER, (.453 x .812 x .105)	2		
19	11	34933	NUT, (.437-20)	2		
20	19	64649	PLUG	1		
21		18276	EXHAUST TUBE	1		
22		66350	SEAL, Lower	1		
23		17726 1	SEAL, Upper	1		
24	32	67295	TUBE, Jet	1	(Long)	
24	32	74729	TUBE	1	(X-Long)	
25	27	99173 2	GASKET	1		2
26		18233A 3	PLATE ASSEMBLY	1		
27		814701 2	SEAL	1		
28		68011	BRACKET	1		
29	10	812832	SCREW, (#10-16 x .500)	12		
30	17	20033	PIN, Dowel	2		
31	26	38970	SEAL	1		2
32	10	90192	SCREW, (.250-20 x .750)	6		
33	27	18307 1	GASKET	1		2
34	12	20552	WASHER, (.406 x .724 x .062)	4		